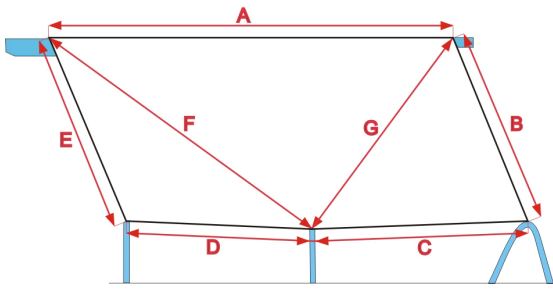


POKROWCE DODATKOWE

TENT NA BOM



A =

B =

C =

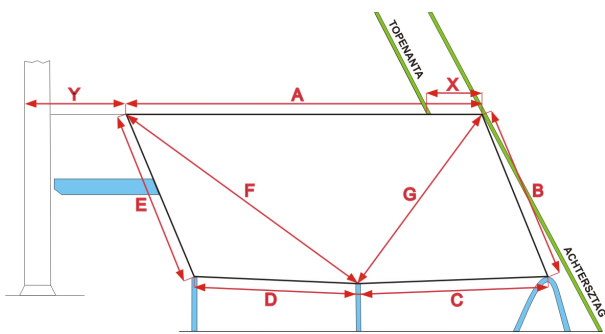
D =

E =

F =

G =

TENT PODWIESZANY



A =

B =

C =

D =

E =

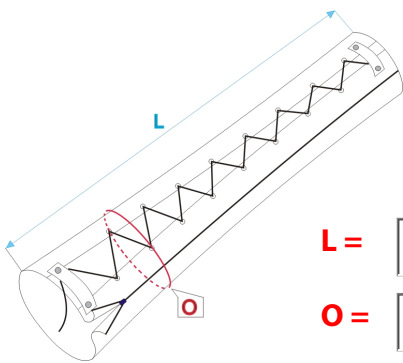
F =

G =

X =

Y =

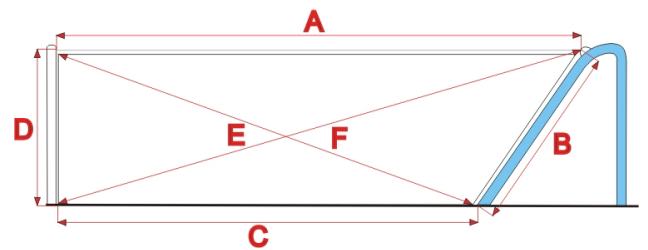
SZTAKSLA



L =

O =

WIATROCHRON



A =

B =

C =

D =

E =

F =

KOLOR

<input type="checkbox"/> pacific blue (5023)	<input type="checkbox"/> marine blue (5031)	<input type="checkbox"/> dune (5026)	<input type="checkbox"/> forest green (5040)
<input type="checkbox"/> ocean blue (5055)	<input type="checkbox"/> jockey red (5029)	<input type="checkbox"/> silver (5035)	<input type="checkbox"/> natural (5020)
<input type="checkbox"/> captain navy (5057)	<input type="checkbox"/> burgundy (5034)	<input type="checkbox"/> oyster (5030)	

VECTOR SAILS s.c.

ul. Dolne Młyny 4,80-293 Gdańsk, Polska

tel./fax (+48) 58 348 90 63
e-mail: info@vectorsails.com
www.vectorsails.com